



GP-702P-1

Digital Picture Frame

User Manual

www.giinii.com

Copyright

© GiiNii™ 2012. All rights reserved. No part of this publication may be reproduced, transmitted, transcribed, stored in a retrieval system or translated into any language or computer language, in any form or by any means, electronic, mechanical, magnetic, optical, chemical, manual or otherwise, without the prior written permission by GiiNii™.

Disclaimer

GiiNii™ makes no representations or warranties, either expressed or implied, with respect to the contents hereof and pacifically disclaims any warranties, merchantability or fitness for any particular purpose. Further, GiiNii™ reserves the right to revise this publication and to make changes from time to time in the contents hereof without obligation to notify any person of such revision or changes.

Safety Instructions

Before operating the Picture Frame, carefully read and follow the instructions below.

- Retain this User Manual for future reference.
- Read the safety and operating instructions carefully before using the product. All warnings on the product and in the operating instructions should be observed.
- Do not place this product under direct sunlight or near heat sources, such as in a closed car under sunlight or near a stove. The outer casing of this product may become deformed and the sophisticated sensors inside may become damaged due to excessive heat. Do not use this product near water, in the rain or allow any liquid to get inside this product. Water and moisture may cause short circuit to the electronic components and lead to malfunctions.

- Do not use this product near strong electromagnetic sources, such as a microwave oven. The electromagnetic interference may cause this product to malfunction.
- Do not drop or apply shock/vibration to this product. Strong impacts may damage the components inside.
- Do not insert objects other than compatible memory cards into the memory card slots of this product. The metal contacts inside the slots can easily become damaged by foreign objects.
- Do not use an unknown power adapter other than the one supplied with the Picture Frame. Connecting this product to an unknown power adapter is very dangerous and may lead to fire or explosion.
- Do not cut, bend, modify, place heavy objects, or step on the power adapter cord. Otherwise the external insulation may be damaged and result in short-circuit or fire.
- If there are strange odors or heat emitting from this product or any signs of malfunction, disconnect the Picture Frame from the power immediately and contact your dealer for inspection or service.
- Use a smooth, soft cloth to clean the surface of the screen. Do not use liquid cleaners or glass cleaners.
- If a foreign substance or water gets in this product, turn the power off immediately and disconnect the power adapter. Next, remove the foreign substance or water, and then send the product to your nearest service center.
- Do not attempt to disassemble or modify this product. There are no user serviceable parts inside this product, and any unauthorized modifications will void the warranty.
- Although the LCD panel is made with high-precision technology and has effective pixels of 99.99% or more, black dots or bright points of light (red, blue or green) may appear constantly on the LCD panel. This is a structural property of the LCD panel and is not a malfunction.

Table of Contents

- Key Features 1**
- What's in the Box..... 2**
- Getting Started..... 2**
 - Connecting to Power..... 2
 - Overview 3
- Operating the Picture Frame 4**
- PHOTO..... 4**
- CALENDAR..... 5**
- CLOCK..... 5**
- EnerGiiNii™..... 6**
- Setup Menu 6**
 - Photo Slideshow Setup..... 7
 - Auto-Play Photo Setup..... 7
 - Display Setup 7
 - Customize Setup 7
- Frequently Asked Questions 8**
- Regulation & Compliance 9**
- GiiNii 90 DAY LIMITED WARRANTY 10**

English

Dear Valued Customer:

Thank you for bringing our GiiNii™ Digital Picture Frame into your home. Now you will be able to view your growing digital picture library in stunning clarity and share great memories with friends and family. It's a totally new and easier way to enjoy seeing your favorite photos. To get the most out of your new GiiNii™ product, please read through this entire User Manual before use. And, if you have any questions about our product, please don't return this to the store. Allow us to help you by calling our customer service team.

Sincerely,

The GiiNii™ Team

Key Features

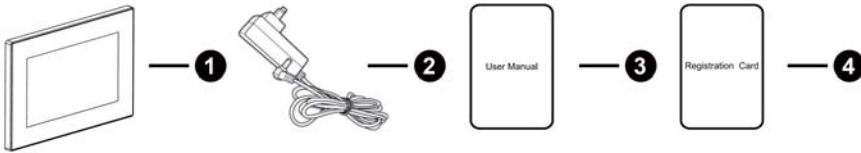
This Picture Frame is equipped with the following features:

- Display clear and bright photos.
- Enables you to play back photo files that are stored in a memory card (SD/SDHC, MMC) or a USB flash drive.
- EnerGiiNii™ software to personalize your frame, saving power when frame is not in use.
- Clock /Calendar function
- Resolution: 480 x 234
- Supported photo format: JPEG
- Rating: DC5V 1A

What's in the Box

Carefully open the packing box and ensure that you have the following items.

1. Digital Picture Frame x 1
2. AC power adapter x 1
3. User Manual x 1
4. Registration Card x 1

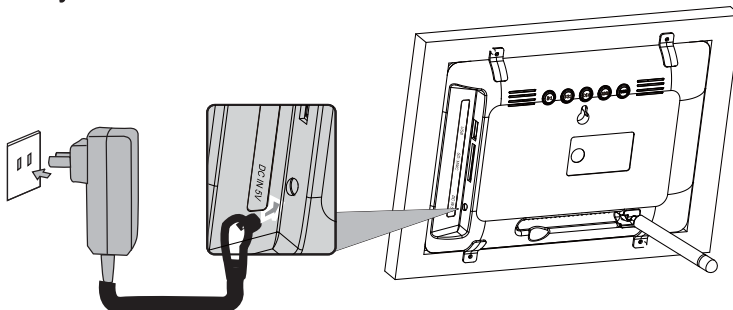


- Actual product appearance may vary from the illustrations shown in this User Manual.
- Available accessories may vary depending on the area where you purchased the Picture Frame.

Getting Started

Connecting to Power

Connect the power adapter as below; the Picture Frame will turn on automatically.

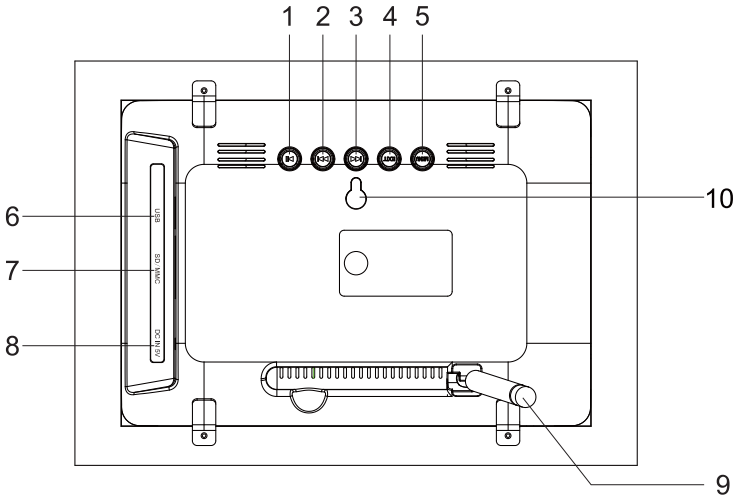


Power On/Off

To turn Off/On the Picture Frame, press and **HOLD** the PLAY/PAUSE button.

Overview

English



No.	Description
1	PLAY/PAUSE (OK) button Press to play/pause while in slideshow mode. During menu selection, press to confirm selection. Power On/Off- Press and HOLD this button
2	RIGHT/DOWN button Press to move right or onto the next item. Press and HOLD to move down.
3	LEFT/UP button Press to move left or onto the previous item. Press and HOLD to move up.
4	EXIT button Cancel current screen to access menu selection.
5	MENU button To enter the setup menu.
6	Memory Card Slot or USB Input
7	Insert SD/SDHC, MMC memory card or USB drive to load content.
8	Power jack
9	Portable Backstand
10	Wall Mount Slot

Operating the Picture Frame

Use the navigational buttons on the back of the frame to operate. Upon first usage, the Picture Frame starts from display main menu as below, please select an icon to enter.



If there is a memory card or USB drive inserted, slideshow will start automatically.

PHOTO

Select PHOTO icon by pressing Play/Pause button. The Picture Frame will detect whether a storage device is available; if not, the Picture Frame will return to the main menu.

Once a storage device is detected, the system will enter the mode you have chose, Slideshow, Thumbnail or File Manager.

NOTICE: the Picture Frame only supports JPEG format images.

CALENDAR

Select CALENDAR icon by pressing Play/Pause button, as shown below. Choose between different options to display or setup calendar.



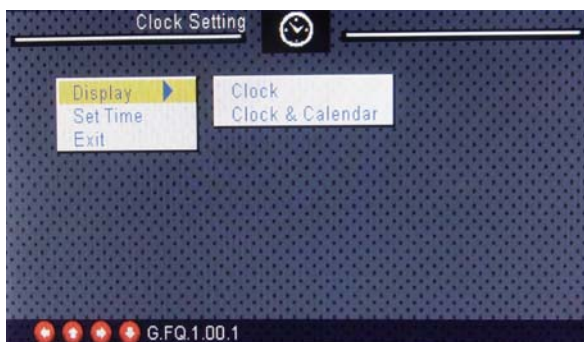
Display: Confirm calendar display by pressing PLAY/PAUSE button.

NOTICE: press and HOLD RIGHT/DOWN button to browse different months, or press RIGHT/DOWN button to browse different years.

Set Date: Allows users to set date.

CLOCK

Select CLOCK icon by pressing PLAY/PAUSE button, as shown below. Choose between different options to display or setup clock.



Display: Choose to display Clock & Calendar, or Clock only.

Set time: Allows users to set time.

EnerGiiNii™

Select EnerGiiNii™ icon by pressing PLAY/PAUSE button, as shown below, to personalize energy-saving features.



Auto-Power On/Off: Turn the frame on/off at a specific time automatically to conserve energy.

Set Time: Input desired time slots to start/end EnerGiiNii™.

Setup Menu

Press MENU button, you will enter Setup menu, where you can customize the frame to your liking. The categories are listed below.



NOTICE: To move UP/DOWN in settings, you need to press and HOLD LEFT/RIGHT button.

Photo Slideshow Setup

Interval Time: selects the slideshow interval between photos.

Transition Effect: selects the transition effect you wish to apply to the slideshow.

Show Type: Selects to display photos in original size or full screen.

Slide mode: selects normal or motion mode to playback.

Browse: selects file manager or thumbnail mode after entering PHOTO.

Auto-Play Photo Setup

Start slideshow automatically after entering PHOTO mode (On by default). Frame will enter browse mode when this function is turned off.

Display Setup

Brightness: selects the level of photo brightness.

Contrast: selects the level of photo contract.

TFT Brightness: selects the screen brightness level.

TFT Contrast: selects the screen contrast level.

TFT Saturation: selects the screen saturation level.

Customize Setup

OSD Language: Select the language, choose between: English, French, German, Italian, Spanish, Portuguese, Dutch, and Polish.

Repeat mode: Choose between various options to repeat slideshow.

- **Off:** feature turned off.
- **One:** repeat current photo.
- **Folder:** repeat the photos in the folder that is currently playing.
- **All:** repeat all photos stored in a memory card or a USB flash drive.

Default: restore all settings to the factory default.

Frequently Asked Questions

What memory card formats are compatible with the Picture Frame?

SD/SDHC, and MMC memory card formats are compatible with the Picture Frame.

Why do some photos load faster than others?

Higher resolution photos load slower. Using a lower resolution when taking photos will speed up loading time. Use photo edit software to resize the file to enhance transition time. We recommend you keep an original copy of the photograph at all times.

Can I store photos on to this Picture Frame?

This GiiNii unit does not come with on-board memory, so you cannot save photos directly to this unit. Simply insert a memory card or USB drive to play photos.

Why can't I power on/off the Picture Frame?

Please press and **HOLD** PLAY/PAUSE button Power on/off the frame.

Why can't I move up/down to select items?

Please press and **HOLD** LEFT/RIGHT button to move up/down.

I still have a question, what can I do?

Call our Customer Service Support at 1(866)909-3550, or email us at customerservice@giinii.com. You may also visit at Giinii.com for more product information.

Regulation & Compliance

Federal Communication Commission (FCC) Notice

This equipment has been tested and found to comply with the limits for a Class B digital device, pursuant to Part 15 of the FCC Rules. These limits are designed to provide reasonable protection against harmful interference in a residential installation. This equipment generates, uses, and can radiate radio frequency energy and, if not installed and used in accordance with the instructions, may cause harmful interference to radio communications.

However, there is no guarantee that interference will not occur in a particular installation. If this equipment does cause harmful interference to radio or television reception, which can be determined by turning the equipment off and on, the user is encouraged to try to correct the interference by one or more of the following measures:

- Reorient or relocate the receiving antenna.
- Increase the separation between the equipment and receiver.
- Connect the equipment into an outlet on a circuit different from that to which the receiver is connected.
- Consult the dealer or an experienced radio/TV technician for help.

Warning: Any changes or modification not expressly approved by the party responsible for compliance could void the user's authority to operate the equipment.

This device complies with Part 15 of the FCC Rules. Operation is subject to the following two conditions: (1) This device may not cause harmful interference, and (2) This device must accept any interference received, including interference that may cause undesired operation.

GiiNii International
7060, Koll Center Parkway,
Suite 340 Pleasanton, CA 94566
1-866-909-3550

GiiNii 90 DAY LIMITED WARRANTY

WARRANTY COVERAGE:

This warranty obligation is limited to the terms set forth below.

WHO IS COVERED:

This product is warranted to the original purchaser or the person receiving the product as a gift against defects in materials and workmanship as based on the date of original purchase ("Warranty Period") from an Authorized Dealer. The original sales receipt showing the product name and the purchase date from an authorized retailer is considered such proof.

WHAT IS COVERED:

This warranty covers new products if a defect in material or workmanship occurs and a valid claim is received within the Warranty Period. At its option, the company will either (1) repair the product at no charge, using new or refurbished replacement parts, or (2) exchange the product with a product that is new or which has been manufactured from new, or serviceable used parts and is at least functionally equivalent or most comparable to the original product in current inventory, or (3) refund the original purchase price of the product. The Company warrants replacement products or parts provided under this warranty against defects in materials and workmanship from the date of the replacement or repair for the remaining portion of the original product's warranty. When a product or part is exchanged, any replacement item becomes your property and the replaced item becomes the company's property. When a refund is given, your product becomes the company's property.

Replacement product can only be sent if all warranty requirements are met. Failure to follow all requirements can result in delay.

WHAT IS NOT COVERED –

EXCLUSIONS AND LIMITATIONS:

This Limited Warranty applies only to the new products that can be identified by the trademark, trade name, or logo affixed to it. This Limited Warranty does not apply to any non-GiiNii hardware product or any software, even if packaged or sold with the product. Non-GiiNii hardware manufacturers, suppliers, or publishers may provide a separate warranty for their own products packaged with the bundled product.

The Company is not liable for any damage to or loss of any programs, data, or other information stored on any media contained within the product, or any non-GiiNii product or part not covered by this warranty. Recovery or reinstallation of programs, data or other information is not covered under this Limited Warranty.

This warranty does not apply (a) to damage caused by accident, abuse, misuse, neglect, misapplication, or non-GiiNii product, (b) to damage caused by service

performed by anyone other than an Authorized Service Location, (c) to a product or a part that has been modified without written permission, or (d) if any serial number has been removed or defaced, or (e) to a product, accessories or consumables sold “AS IS” without warranty of any kind by including refurbished GiiNii products sold “As IS” by some retailers.

THIS LIMITED WARRANTY DOES NOT COVER:

- Shipping charges to return defective product.
- Labor charges for installation or setup of the product, adjustment of customer controls on the product, and installation or repair of any part outside of the product
- Product repair and/or part replacement because of improper installation or maintenance, connections to improper voltage supply, power line surge, lighting damage, retained images or screen markings resulting from viewing fixed stationary content for extended periods, product cosmetic appearance items due to normal wear and tear, unauthorized repair or other cause not within the control of the company.
- Damage or claims for products not being available for use, or for lost data or lost software.
- Damage from mishandled shipments or transit accidents when returning product.
- A product that requires modification or adaptation to enable it to operate in any country other than the country for which it was designed, manufactured, approved and/or authorized, or repair of products damaged by these modifications.
- A product used for commercial or institutional purposes (including but not limited to rental purposes).
- Product lost in shipment and no signature verification receipt can be provided.
- Failure to operate per Owner's Manual.

TO OBTAIN ASSISTANCE

Send an email to customerservice@GiiNii.com.

For technical support call toll free: **1-866-909-3550**

REPAIR OR REPLACEMENT AS PROVIDED UNDER THIS WARRANTY IS THE EXCLUSIVE REMEDY FOR THE CONSUMER. GiiNii SHALL NOT BE LIABLE FOR ANY INCIDENTAL OR CONSEQUENTIAL DAMAGES FOR BREACH OF ANY EXPRESS OR IMPLIED WARRANTY ON THIS PRODUCT. EXCEPT TO THE EXTENT PROHIBITED BY APPLICABLE LAW, ANY IMPLIED WARRANTY OR MERCHANTABILITY OR FITNESS FOR A PARTICULAR PURPOSE ON THIS PRODUCT IS LIMITED IN DURATION TO THE DURATION OF THIS WARRANTY. Some states do not allow the exclusions or limitations of incidental or consequential damages, or allow limitations on how long an implied warranty lasts, so the above limitations or exclusions may not apply to you.

This warranty gives you specific legal rights. You may have other rights which may vary from state/province to state/province.

Derecho de Copia

© GiiNii™ 2012. Todos los derechos reservados. Ninguna parte de esta publicación puede ser reproducida, transmitida, transcrita, almacenada en un sistema de recuperación o traducida a ningún idioma o lenguaje informático de ninguna forma ni con ningún método, ya sea éste electrónico, mecánico, magnético, óptico, químico, manual o cualquier otro, sin el consentimiento previo por escrito de la empresa GiiNii™.

Limitación de Responsabilidad

GiiNii™ no otorga garantía alguna, de manera explícita o implícita, con respecto al contenido de este documento y renuncia expresamente a cualquier garantía, comerciabilidad o adecuación para un propósito en particular. Además, la empresa se reserva el derecho de revisar esta publicación y realizar modificaciones periódicamente en el contenido de este documento sin la obligación de notificar a nadie sobre dichos cambios o revisiones.

Instrucciones de Seguridad

Antes de utilizar el marco de foto, lea y siga cuidadosamente las instrucciones de abajo.

- Conserva este manual del Usuario para referencia en el futuro.
- Lea las instrucciones de seguridad y operación antes de utilizar el producto. Todas las advertencias sobre el producto y en las instrucciones de uso deben ser observadas.
- No coloque este producto bajo la luz solar directa o cerca de fuentes de calor, por ejemplo en un automóvil cerrado ubicado al sol o en una ubicación cercana a una estufa. La cubierta exterior del producto podría deformarse y los sofisticados sensores internos podrían sufrir daños causados por el calor excesivo.
- No utilice este producto cerca del agua o bajo la lluvia ni permita que ingresen líquidos al mismo. El agua y la humedad podrían causar cortocircuitos de los componentes electrónicos y provocar un funcionamiento defectuoso.
- No utilice este producto cerca de fuentes electromagnéticas

potentes, tales como un horno a microondas. La interferencia electromagnética podría causar un funcionamiento defectuoso de este producto.

- No deje caer el producto ni lo someta a impactos/vibraciones. Los impactos fuertes podrían dañar los componentes internos.
- No inserte en las ranuras para tarjetas de memoria de este producto objetos que no sean las tarjetas de memoria compatibles. Los objetos extraños podrían dañar fácilmente los contactos metálicos ubicados en el interior de las ranuras.
- No utilice un adaptador de alimentación desconocido o que no sea el que se suministra con el Marco de Foto. La conexión del producto a un adaptador de alimentación desconocido es sumamente peligrosa y podría causar un incendio o explosión.
- No corte, doble, modifique, coloque objetos pesados encima ni pise el cable del adaptador de alimentación. De lo contrario, podría dañarse el aislamiento externo y ello derivar en un cortocircuito o incendio.
- Si existieran olores extraños o calor provenientes de este producto u otro signo de funcionamiento defectuoso, desconecte de inmediato el Marco de Foto de la alimentación y póngase en contacto con el distribuidor para su inspección o servicio técnico.
- Utilice un paño suave para limpiar la superficie de la pantalla. No utilice limpiadores líquidos o limpiadores para vidrios.
- Si ingresara al producto una sustancia extraña o agua, apáguelo de inmediato y desconecte el adaptador de alimentación. Luego, extraiga la sustancia extraña o el agua y envíe el producto al centro de servicio técnico más cercano.
- No intente desarmar ni modificar el producto. No existen piezas dentro del producto que el usuario pueda reparar, y cualquier modificación no autorizada anulará la garantía. A pesar de que el panel LCD está fabricado con tecnología de alta precisión y posee un 99,99% o más de píxeles efectivos, es posible que aparezcan de manera constante en el panel LCD puntos de luz negros o brillantes (rojos, azules o verdes). Ésta es una característica estructural del panel LCD y no representa un funcionamiento defectuoso.

Table of Contents

Características Principales	1
¿Qué hay en la Caja	2
Primeros Pasos	2
Conexión al poder.....	2
Visión General	3
Operación del Marco de Fotos	4
FOTO	4
CALENDARIO	5
Reloj	5
EnerGiiNii™	6
Menú de Configuración.....	6
Configuración de Presentación de Fotos	7
Configuración de Auto-Reproducir de Foto	7
Configuración de Presentación.....	7
Configuración de Personalización	7
Preguntas Más Frecuentes.....	8
Regulación y Cumplimiento	9
GiiNii GARANTIA LIMITADA DE 90 DIAS	10

Español

Estimado Cliente:

Gracias por comprar nuestro GiiNii Marco digital de fotos en su hogar. Ahora podrá ver sus fotos digitales cada vez mayor colección en una sorprendente claridad y compartir grandes recuerdos con amigos y familiares.

Es completamente nueva y más sencilla manera de disfrutar viendo sus fotos favoritas.

Para sacar el máximo partido de su nuevo producto GiiNii, por favor lea este manual por completo antes de utilizarlo. Y, si usted tiene alguna pregunta acerca de nuestro producto, por favor no devuelva este a la tienda. Permítanos ayudar a llamar a nuestro equipo de servicio al cliente. Atentamente, El equipo de GiiNii

Características Principales

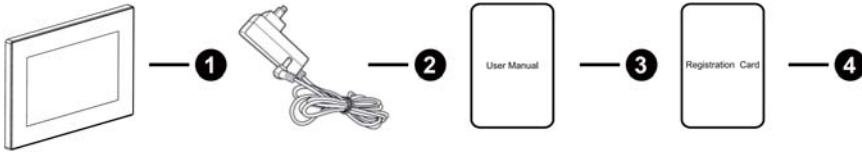
Este marco de fotos está equipado con las siguientes características:

- Muestra las fotos claras y brillantes.
- Le permite reproducir archivos de fotos que están almacenadas en una tarjeta de memoria (SD/SDHC, MMC) o una unidad flash USB.
- EnerGiiNii™ software software puede personalizar su marco digital, ahorrando la energía cuando el marco no esté en uso.
- Función de Reloj / Calendario
- Resolución: 480 x 234
- Formato de fotos compatible: JPEG
- Poder: DC 5V 1A

¿Qué hay en la Caja

Abra cuidadosamente la caja de embalaje y asegúrese de que tiene los siguientes elementos.

1. Marco Digital de fotos x 1
2. Adaptador de corriente CA x 1
3. Manual del usuario x 1
4. Tarjeta de Registro x 1

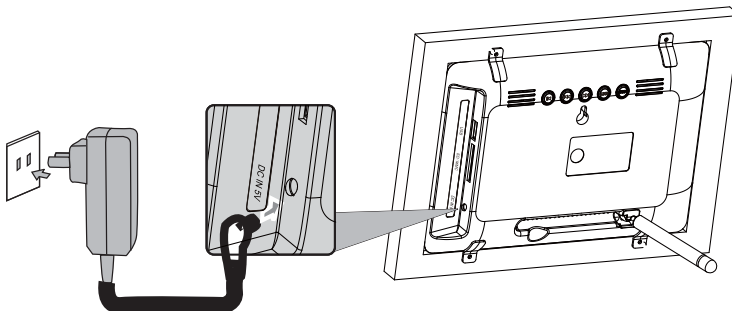


- El aspecto del producto real puede diferir de las ilustraciones que aparecen en este manual de usuario.
- Los accesorios disponibles pueden variar dependiendo de la zona en la que compró el marco de imagen.

Primeros Pasos

Conexión al poder

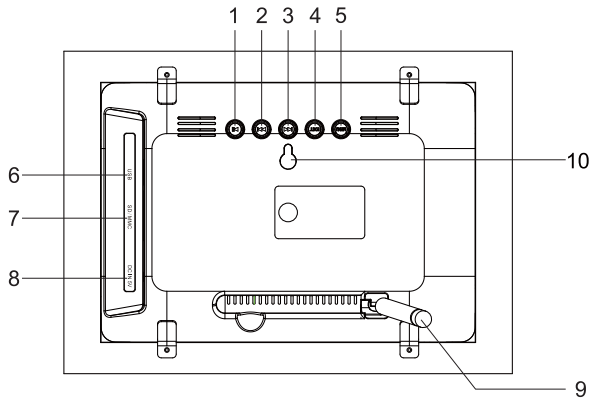
Conecte el adaptador de poder como lo siguiente; y el Marco Digital va a encender automáticamente.



Poder Encendido / Apagado

Para apagar/encender el Marco Digital de Fotos, presiona y **MANTENER** el botón de REPRODUCIR / SUSPENDER.

Visión General



#	Descripción
1	REPRODUCIR / SUSPENDER (OK) botón Presiona el botón para reproducir / suspender cuando esté en el modo de presentación. En el menú de selección, presiona el botón para confirmar la selección. Poder Encendido / Apagado – Presiona y MANTENER este botón.
2	DERECHA / ABAJO botón Presiona el botón para mover hacia derecha o cambiar al siguiente elemento. Presiona y MANTENER el botón para mover hacia abajo.
3	IZQUIERDA / ARRIBA botón Presiona el botón para mover izquierda o cambiar al previo elemento. Presiona y MANTENER el botón para mover hacia arriba.
4	SALIR botón Cancela la pantalla actual para acceder al menú de selección.
5	MENÚ de selección Para entrar en el menú de configuración.
6	Ranura para Tarjeta de Memoria o USB entrada. Inserta la tarjeta de memoria de SD/SDHC, MMC o USB para cargar el contenido.
7	
8	Toma de Poder
9	Soporte posterior portátil
10	Ranura de montaje en pared

Operación del Marco de Fotos

Utiliza los botones de navegación en la parte posterior del marco para operar. Al utilizar por la primera vez, el Marco de Fotos comienza en mostrar el menú principal de la siguiente manera, por favor, seleccione un icono para entrar.



Si hay una tarjeta de memoria o unidad USB insertada, la presentación de dispositivos se iniciará automáticamente.

FOTO

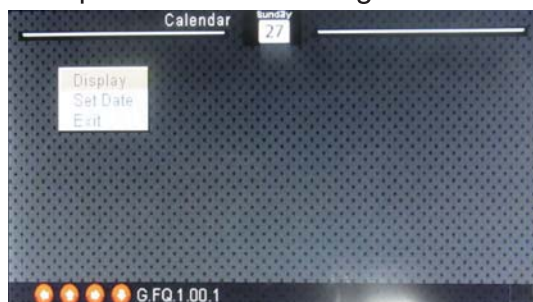
Selecciona el icono FOTOS pulsando el botón REPRODUCIR / SUSPENDER. El Marco de Fotos va a detectar si un dispositivo de almacenamiento esté disponible, y si no, el Marco de Fotos volverá al menú principal.

Una vez que un dispositivo de almacenamiento se detecte, el sistema entrará en el modo que ha elegido, Presentación de dispositivos, Miniaturas o Administrador de archivos.

AVISO: el Marco de Fotos sólo es compatible con imágenes en formato JPEG.

CALENDARIO

Seleccione el icono de CALENDARIO pulsando el botón Reproducir / Suspender, como lo que se muestra a la continuación. Elige entre diferentes opciones para mostrar o configurar el calendario.



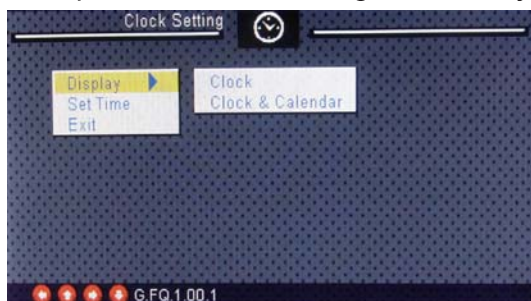
Visualización: confirme la visualización del calendario pulsando REPRODUCIR / SUSPENDER.

AVISO: presiona y lo MANTENER el botón DERECHA / ABAJO para navegar por los diferentes meses, o presione DERECHA / ABAJO para navegar por diferentes años.

Definir Fecha: permite a los usuarios para establecer la fecha.

Reloj

Seleccione el icono de reloj presionando REPRODUCIR / SUSPENDER, como lo que se muestra a continuación. Elige entre diferentes opciones para mostrar o configurar el reloj.



Visualización: Elige ésto para mostrar Reloj y Calendario o solo Reloj.

Configurar tiempo: Permite a los usuarios para configurar el tiempo.

EnerGiiNii™

Seleccione el icono EnerGiiNii™ pulsando REPRODUCIR / SUSPENDER, como lo que se muestra abajo, para personalizar las características de ahorro de energía.



Auto-Encendido / Apagado: Enciende o apaga el marco a una hora determinada de forma automática para ahorrar energía.

Configurar el tiempo: Entra los intervalos deseados de tiempo para iniciar / terminar EnerGiiNii™.

Menú de Configuración

Presiona el botón de MENÚ, va a entrar en el menú de configuración, donde puede personalizar el marco como lo quiere. Las categorías son las siguientes:



AVISO: para mover ARRIBA / ABAJO en configuración, tiene que presionar y MANTENER el botón de IZQUIERDA / DERECHA.

Configuración de Presentación de Fotos

Intervalo de tiempo: determina el intervalo de tiempo entre las fotos en la presentación.

Efecto de transición: determina los efectos de transición que desea aplicar a la presentación.

Tipo de presentación: determina el tipo de medida que presentar las fotos en tamaño original o a pantalla completa.

Modo de diapositiva: determina el modo normal o de movimiento para la reproducción.

Ver: selecciona el Administrador de Archivos o el modo de miniaturas después de entrar en FOTO.

Configuración de Auto-Reproducir de Foto

Iniciar la presentación de forma automática después de entrar en el modo de foto (iniciado por defecto). El Marco va a entrar en el modo de exploración cuando esta función está desactivada.

Configuración de Presentación

Brillo: selecciona el nivel de brillo de las fotos.

Contraste: selecciona el nivel de contraste de fotos

TFT Brillo: selecciona el nivel de brillo de la pantalla.

TFT Contraste: selecciona el nivel de contraste de la pantalla.

TFT Saturación: selecciona el nivel de saturación de pantalla.

Configuración de Personalización

Idioma de OSD: selecciona el idioma, entre: inglés, francés, alemán, italiano, español, portugués, holandés y polaco.

Modo de repetición: selecciona entre varias opciones para repetir la presentación de diapositivas.

- **Apagado:** la función de apagado.
- **Uno:** repetición de la foto actual.
- **Carpeta:** repetir las fotos en la carpeta que se está reproduciendo.
- **Todos:** repetir todas las fotos almacenadas en la tarjeta de memoria o unidad de flash USB.

Por defecto: restaurar todos los ajustes a los valores predeterminados de fábrica.

Preguntas Más Frecuentes

¿Qué formatos de tarjetas de memoria son compatibles con el Marco de fotos?

Los formatos de SD / SDHC, y MMC de la tarjeta de memoria son compatibles con el Marco de Fotos.

¿Por qué algunas fotos se cargan más rápido que otras?

Fotografías con resolución mayor carga más lento. Con una resolución inferior al tomar fotos acelerará el tiempo de carga. Utiliza el software de edición de fotos para cambiar el tamaño del archivo para mejorar el tiempo de transición. Le aconsejamos que usted siempre reserve la copia de la foto original.

¿Puedo guardar fotos en este marco de fotos?

Esta unidad GiiNii no viene con la memoria a bordo, por lo que no puede guardar las fotos directamente a esta unidad. Basta con insertar una tarjeta de memoria o unidad USB para reproducir fotos.

¿ Por qué no puedo encender / apagar el Marco de Fotos?

Por favor pulsa y lo **MANTENER** el botón REPRODUCIR / SUSPENDER para encender / apagar el marco.

¿Por qué no puedo mover hacia arriba / abajo para seleccionar los elementos?

Por favor pulsa y lo **MANTENER** IZQUIERDA / DERECHA para mover hacia arriba / abajo.

Todavía tengo una duda, ¿qué puedo hacer?

Llame a nuestro Servicio de Atención al Cliente al 1 (866) 909-3550, o envíenos un email a customerservice@giinii.com. Usted puede también visitarnos en GiiNii.com de información sobre el product.

Regulación y Cumplimiento

Comisión Federal de Comunicaciones (FCC)

Este aparato ha sido probado y se ha comprobado que cumple con los límites establecidos para los dispositivos digitales Clase B, según la sección 15 de las normas de la FCC. Estos límites se han establecido para ofrecer una protección razonable contra interferencias cuando el aparato funciona en un entorno residencial. Este aparato genera, utiliza y puede irradiar energía de radiofrecuencia y, si no se instala y utiliza de acuerdo con las instrucciones, puede ocasionar interferencias en las comunicaciones por radio. Sin embargo, no existe garantía alguna de que no se produzcan interferencias en una instalación específica. Si este aparato produce interferencias en la recepción de radio o televisión, lo que se puede determinar apagando y encendiendo el aparato, se recomienda al usuario que intente corregir la interferencia realizando una o varias de las siguientes acciones:

- cambie la orientación o ubicación de la antena receptora.
- aumente la separación entre el aparato y el receptor.
- conecte el aparato a una fuente de alimentación que esté en un circuito distinto de aquél donde está conectado el receptor.
- consulte con el distribuidor o con un técnico especializado en radio/TV para obtener más sugerencias.

De alerta: Cualquier cambio o modificación no aprobados expresamente por la parte responsable de la compatibilidad puede anular el derecho del usuario a utilizar el aparato.

Este dispositivo cumple con la Parte 15 de las Normas de la FCC. La operación está sujeta a las siguientes dos condiciones: (1) Este dispositivo no puede causar interferencias perjudiciales y (2) Este dispositivo debe aceptar cualquier interferencia recibida, incluyendo interferencias que puedan causar un funcionamiento no deseado.

GiiNii International

7060, Koll Center Parkway,
Suite 340 Pleasanton, CA 94566
1-866-909-3550

GiiNii GARANTIA LIMITADA DE 90 DIAS

COBERTURA DE LA GARANTIA:

La obligación de esta garantía esta limitada a los términos establecidos en la parte de abajo:

QUIEN ESTA CUBIERTO:

Este producto esta garantizado al comprador original o la persona la cual esta recibiendo este producto como un regalo, contra defectos en los materiales y manufactura como basados en el día original de compra (Periodo de Garantía) del distribuidor autorizado. El recibo original mostrando el nombre del producto y el día de compra del distribuidor autorizado es considerado como dicha prueba.

QUE ESTA CUBIERTO:

Esta garantía cubre los productos nuevos, si hay defecto en los materiales o manufactura y si un reclamo es recibido durante el periodo de Garantía. A su opción, la compañía va de cualquier forma (1) reparar el producto a ningún costo, usando partes nuevas o reconstruidas, o (2) intercambiar el producto con un producto nuevo u otro que haya sido manufacturado de partes nuevas o usadas en buen estado servicial y este funcionando equivalentemente o comparablemente al producto original en el inventario al corriente o (3) reembolsar el precio del producto original. La compañía garantiza el re emplazamiento de productos o partes provistas bajo esta garantía contra defectos en materiales o manufactura del día de reemplazo o reparación de la porción original restante de la garantía original del producto. Cuando el producto o parte(s) es intercambiado cualquier parte reemplazada es propiedad de usted y la parte re emplazada es parte de la compañía. Cuando un reembolso es otorgado, su producto pertenece a la compañía. **Nota: cualquier producto vendido e identificado como reconstruido o renovado ileva cosigo una garantía limitada de (90) días. Sólo se puede enviar el producto de reemplazo si se cumplen todos los requisitos de garantía. No seguir todos los requisitos puede producir retraso.**

LO QUE NO CUBRE-EXCLUSIONES Y LIMITACIONES

Esta garantía limitada sólo se aplica a los nuevos productos que pueden ser identificados por la marca, nombre comercial o logotipo provisto. Esta garantía limitada no se aplica a cualquier otro producto que no sea GiiNii. Producto o cualquier software, incluso si empaquetado o vendidos con el producto. Los fabricantes no-GiiNii, proveedores o editores pueden proporcionar una garantía separada para sus propios productos empaquetan con el producto. La compañía no es responsable por cualquier Daño a la pérdida de todos los programas, datos u otra información almacenada en los medios de cualquier contenido en el producto, o cualquier producto no-GiiNii o una parte no cubierto por esta garantía. Recuperación o la reinstalación de programas, datos u otra información no está cubierto por esta garantía limitada. Esta garantía no se aplica (a) a los Daños causados por accidente, abuso, uso incorrecto, negligencia, aplicación incorrecta, o producto no-GiiNii, (b) a los Daños causados por el servicio realizado por cualquier pena que una ubicación

de servicio autorizado, (c) a un producto o una parte que ha sido modificado sin autorización por escrito, o (d) si cualquier número de serie se ha eliminado o desfigurados, o (e) a un accesorio del producto, o consumibles vendidos "Tal cual" sin garantía de ningún tipo, incluyendo productos reformado/ reconstruidos vendidos por GiiNii como "Tal cual" por algunos distribuidores minoristas.

ESTA GARANTIA LIMITADA NO CUBRE:

- Gastos de envío a devolver el producto defectuoso.
- Cargos laborales para la instalación o configuración del producto, ajuste de controles de cliente en el producto y la instalación o la reparación de cualquier parte fuera del producto.
- Reemplazo de reparación o parte de producto causa de la instalación incorrecta o mantenimiento, las conexiones al suministro inadecuado de voltaje, aumento de la línea de alimentación, Daños relámpago, conserva imágenes o marcas en la pantalla resultantes de visualización de contenido fijo estacionaria durante largos períodos, elementos de la apariencia estética de producto debidos al desgaste normal y desgarrado, reparaciones no autorizadas o de otros causan no dentro de
- Daño o reclamaciones para productos de no ser software disponible para su uso, o para la pérdida de datos o perdido.
- Da o de envíos o accidentes de tránsito al devolver el producto.
- Un producto que requiere la modificación o adaptación para que pueda operar en cualquier país distinto del país que ha sido diseñado, fabricado, aprobado o autorizado o reparado por estas modificaciones.
- Un producto que se usa para fines comerciales o institucionales (incluyendo pero sin limitarse a fines de alquiler).
- Se puede proporcionar producto perdido en el envío y no recibo de verificación de firma.
- El hecho de no operar por el manual del propietario

PARA OBTENER ASISTENCIA

Puede enviar un correo electrónico a customerservice@GiiNii.com o llame al número gratuito: **1-866-909-3550**

REPARACIÓN O REEMPLAZO COMO PREVISTOS PARA ESTA GARANTÍA ES EL REMEDIO EXCLUSIVO PARA EL CONSUMIDOR. GIINII NO SERÁ RESPONSABLE DE CUALQUIER INCIDENTALES O DAÑOS CONSECUENTES Y PERJUICIOS POR INCUMPLIMIENTO DE CUALQUIER GARANTÍA EXPRESA O IMPLÍCITA SOBRE ESTE PRODUCTO. EXCEPTO EN LA MEDIDA DE LO PROHIBIDO POR UNA LEY APLICABLE, CUALQUIER GARANTÍA IMPLÍCITA O COMERCIABILIDAD PARA UN PROPÓSITO PARTICULAR DE ESTE PRODUCTO ESTÁ LIMITADA EN DURACIÓN A LA DURACIÓN DE ESTA GARANTÍA.

Algunos Estados no permiten las exclusiones o limitaciones de Daños incidentales o consecuentes, o permiten limitaciones sobre cuánto tiempo una garantía implícita dura, así que las limitaciones o exclusiones anteriores no podrían aplicar a usted.

Esta garantía le otorga derechos legales específicos. Puede que tenga otros derechos que varían de estado/ provincia a estado/provincia.



© 2012 GiiNii International
All rights reserved.

D.28.02.12